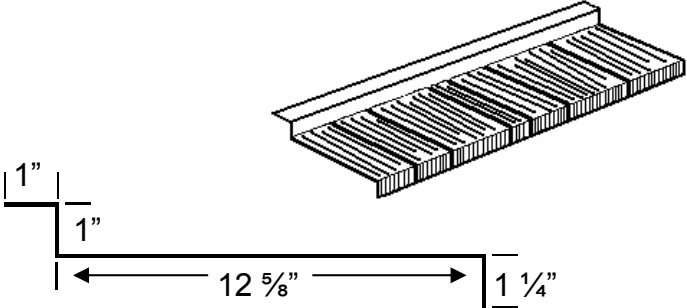
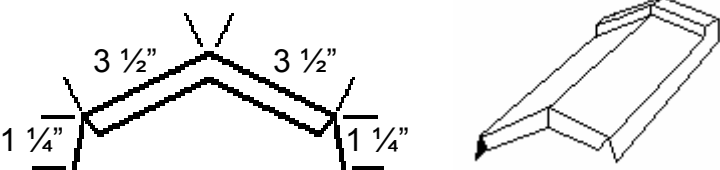
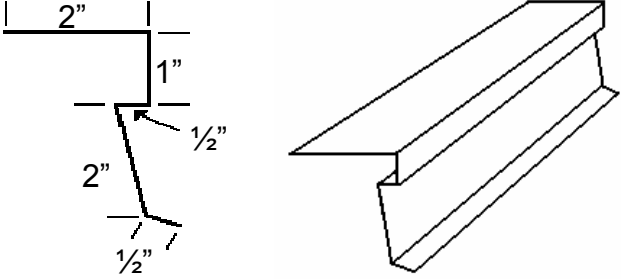
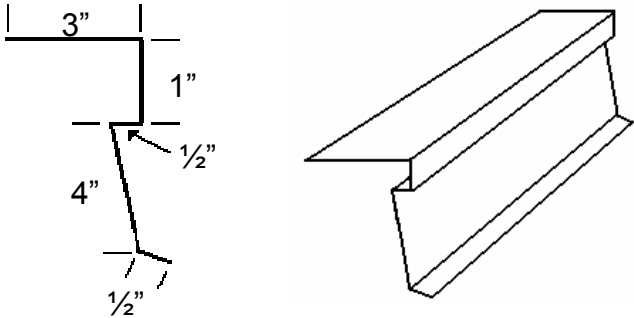


HEAVY SHAKE & FLASHING DETAILS

	<p style="text-align: center;">SHAKE</p> <table border="0"> <tr> <td>Overall Length</td> <td style="text-align: right;">51"</td> </tr> <tr> <td>Length of Coverage</td> <td style="text-align: right;">48"</td> </tr> <tr> <td>Width of Coverage</td> <td style="text-align: right;">12.5"</td> </tr> <tr> <td>Total Shake Coverage</td> <td style="text-align: right;">4.16 sq. ft.</td> </tr> <tr> <td>Weight per Shake</td> <td style="text-align: right;">5.54 lbs</td> </tr> <tr> <td>Shakes per square</td> <td style="text-align: right;">24</td> </tr> <tr> <td>Shake per pallet</td> <td style="text-align: right;">480 (20 sq.)</td> </tr> <tr> <td>Approx. weight of full pallet</td> <td style="text-align: right;">2659 lbs</td> </tr> </table>	Overall Length	51"	Length of Coverage	48"	Width of Coverage	12.5"	Total Shake Coverage	4.16 sq. ft.	Weight per Shake	5.54 lbs	Shakes per square	24	Shake per pallet	480 (20 sq.)	Approx. weight of full pallet	2659 lbs
Overall Length	51"																
Length of Coverage	48"																
Width of Coverage	12.5"																
Total Shake Coverage	4.16 sq. ft.																
Weight per Shake	5.54 lbs																
Shakes per square	24																
Shake per pallet	480 (20 sq.)																
Approx. weight of full pallet	2659 lbs																
	<p style="text-align: center;">SHAKE CAP</p> <table border="0"> <tr> <td>Overall Length</td> <td style="text-align: right;">14"</td> </tr> <tr> <td>Length of Coverage</td> <td style="text-align: right;">13"</td> </tr> <tr> <td>Weight per Cap</td> <td style="text-align: right;">0.84 lbs</td> </tr> <tr> <td>Shake Caps per box</td> <td style="text-align: right;">50</td> </tr> <tr> <td>Shake Caps per pallet</td> <td style="text-align: right;">600</td> </tr> </table>	Overall Length	14"	Length of Coverage	13"	Weight per Cap	0.84 lbs	Shake Caps per box	50	Shake Caps per pallet	600						
Overall Length	14"																
Length of Coverage	13"																
Weight per Cap	0.84 lbs																
Shake Caps per box	50																
Shake Caps per pallet	600																
	<p style="text-align: center;">SHAKE STARTER 3.5"</p> <table border="0"> <tr> <td>Overall Length</td> <td style="text-align: right;">96"</td> </tr> <tr> <td>Length of Coverage</td> <td style="text-align: right;">93"</td> </tr> <tr> <td>Weight</td> <td style="text-align: right;">3.62 lbs</td> </tr> </table>	Overall Length	96"	Length of Coverage	93"	Weight	3.62 lbs										
Overall Length	96"																
Length of Coverage	93"																
Weight	3.62 lbs																
	<p style="text-align: center;">SHAKE STARTER 5"</p> <table border="0"> <tr> <td>Overall Length</td> <td style="text-align: right;">96"</td> </tr> <tr> <td>Length of Coverage</td> <td style="text-align: right;">93"</td> </tr> <tr> <td>Weight</td> <td style="text-align: right;">5.44 lbs</td> </tr> </table>	Overall Length	96"	Length of Coverage	93"	Weight	5.44 lbs										
Overall Length	96"																
Length of Coverage	93"																
Weight	5.44 lbs																

FLASHING SPECIFICATIONS
EUROPEAN TILE AND HEAVY SHAKE PROFILES

	<p>BARGE COVER</p> <p>Overall Length 96" Length of Coverage 93" Weight 4.83 lbs</p>
	<p>HIP/RIDGE CAP</p> <p>Overall Length 96" Length of Coverage 93" Weight 3.62 lbs</p>
	<p>VALLEY FLASHING</p> <p>Overall Length 96" Length of Coverage 93" Weight 4.83 lbs</p>
	<p>WALL FLASHING</p> <p>Overall Length 96" Length of Coverage 93" Weight 3.62 lbs</p>
	<p>WALL VALLEY FLASHING</p> <p>Overall Length 96" Length of Coverage 93" Weight 3.62 lbs</p>