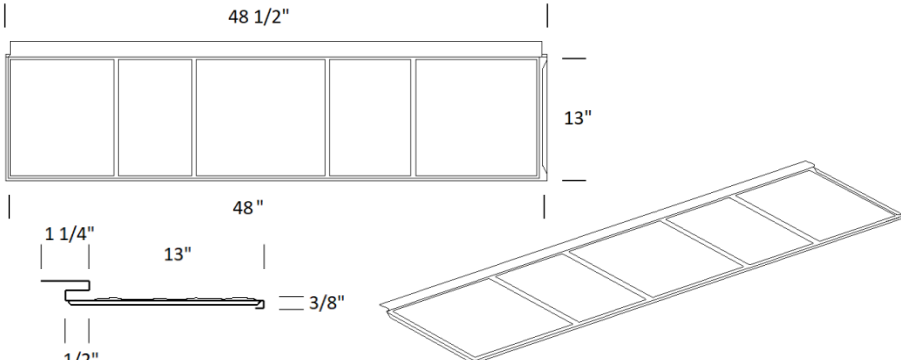
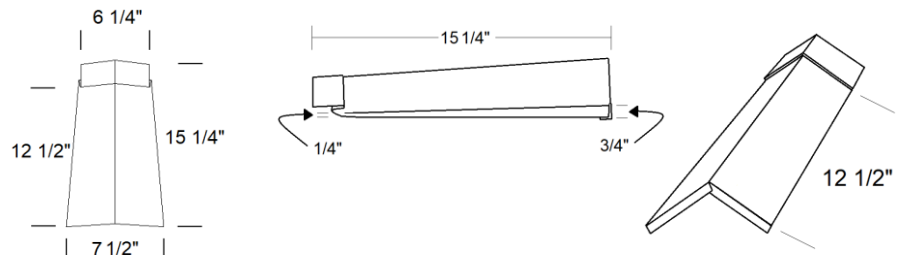
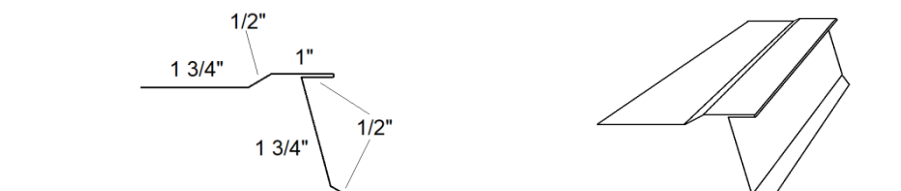
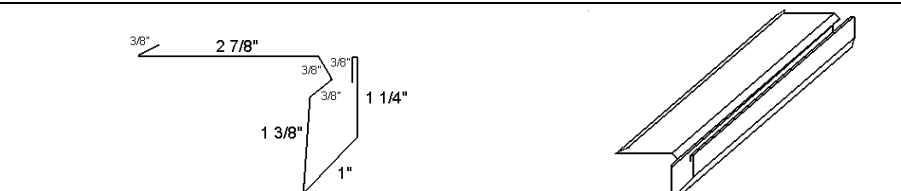

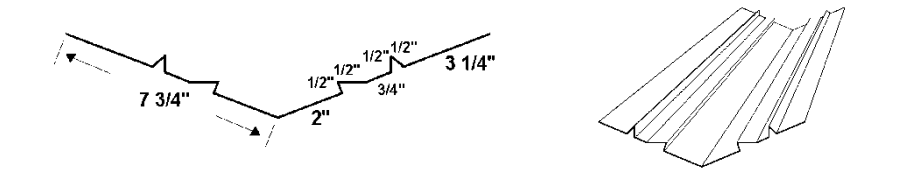


## IRONSTONE SLATE & FLASHING SPECIFICATIONS (2019)

	<p style="text-align: center;"><b>IRONSTONE SLATE</b></p> <table border="0"> <tr><td>Overall Length</td><td>48 1/2"</td></tr> <tr><td>Length of Coverage</td><td>48"</td></tr> <tr><td>Width of Coverage</td><td>13"</td></tr> <tr><td>Total Panel Coverage</td><td>4.3 sq. ft.</td></tr> <tr><td>Weight</td><td>3.61 lbs</td></tr> <tr><td>Panels per box</td><td>20 pcs</td></tr> <tr><td>Panels per square</td><td>23.25 pcs</td></tr> <tr><td>Per pallet</td><td>22 bxs / 440 pcs</td></tr> <tr><td>Square per pallet</td><td>18.92 sq</td></tr> <tr><td>Weight per Pallet</td><td>1588 lbs</td></tr> </table>	Overall Length	48 1/2"	Length of Coverage	48"	Width of Coverage	13"	Total Panel Coverage	4.3 sq. ft.	Weight	3.61 lbs	Panels per box	20 pcs	Panels per square	23.25 pcs	Per pallet	22 bxs / 440 pcs	Square per pallet	18.92 sq	Weight per Pallet	1588 lbs
Overall Length	48 1/2"																				
Length of Coverage	48"																				
Width of Coverage	13"																				
Total Panel Coverage	4.3 sq. ft.																				
Weight	3.61 lbs																				
Panels per box	20 pcs																				
Panels per square	23.25 pcs																				
Per pallet	22 bxs / 440 pcs																				
Square per pallet	18.92 sq																				
Weight per Pallet	1588 lbs																				
	<p style="text-align: center;"><b>IRONSTONE CAP</b></p> <table border="0"> <tr><td>Overall Length</td><td>15 1/2"</td></tr> <tr><td>Length of Coverage</td><td>12 1/2"</td></tr> <tr><td>Weight</td><td>0.9 lbs</td></tr> <tr><td>Slate Caps per box</td><td>50 pcs</td></tr> <tr><td>Boxes per pallet</td><td>12 boxes</td></tr> <tr><td>Slate Caps per pallet</td><td>600 pcs</td></tr> <tr><td>Weight per pallet</td><td>540 lbs</td></tr> </table>	Overall Length	15 1/2"	Length of Coverage	12 1/2"	Weight	0.9 lbs	Slate Caps per box	50 pcs	Boxes per pallet	12 boxes	Slate Caps per pallet	600 pcs	Weight per pallet	540 lbs						
Overall Length	15 1/2"																				
Length of Coverage	12 1/2"																				
Weight	0.9 lbs																				
Slate Caps per box	50 pcs																				
Boxes per pallet	12 boxes																				
Slate Caps per pallet	600 pcs																				
Weight per pallet	540 lbs																				
	<p style="text-align: center;"><b>IRONSTONE DRIP</b></p> <table border="0"> <tr><td>Overall Length</td><td>96"</td></tr> <tr><td>Length of Coverage</td><td>93"</td></tr> <tr><td>Weight (6")</td><td>3.62 lbs</td></tr> </table>	Overall Length	96"	Length of Coverage	93"	Weight (6")	3.62 lbs														
Overall Length	96"																				
Length of Coverage	93"																				
Weight (6")	3.62 lbs																				
	<p style="text-align: center;"><b>IRONSTONE GABLE</b></p> <table border="0"> <tr><td>Overall Length</td><td>96"</td></tr> <tr><td>Length of Coverage</td><td>93"</td></tr> <tr><td>Weight (8")</td><td>4.83 lbs</td></tr> </table>	Overall Length	96"	Length of Coverage	93"	Weight (8")	4.83 lbs														
Overall Length	96"																				
Length of Coverage	93"																				
Weight (8")	4.83 lbs																				
	<p style="text-align: center;"><b>IRONSTONE WALL</b></p> <table border="0"> <tr><td>Overall Length</td><td>96"</td></tr> <tr><td>Length of Coverage</td><td>93"</td></tr> <tr><td>Weight (8")</td><td>4.83 lbs</td></tr> </table>	Overall Length	96"	Length of Coverage	93"	Weight (8")	4.83 lbs														
Overall Length	96"																				
Length of Coverage	93"																				
Weight (8")	4.83 lbs																				
	<p style="text-align: center;"><b>IRONSTONE 16" VALLEY</b></p> <table border="0"> <tr><td>Overall Length</td><td>96"</td></tr> <tr><td>Length of Coverage</td><td>93"</td></tr> <tr><td>Weight (16")</td><td>9.66 lbs</td></tr> </table>	Overall Length	96"	Length of Coverage	93"	Weight (16")	9.66 lbs														
Overall Length	96"																				
Length of Coverage	93"																				
Weight (16")	9.66 lbs																				