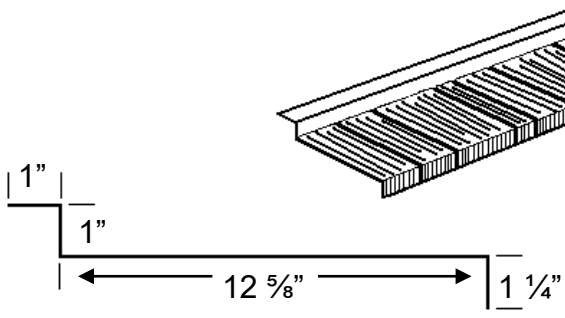
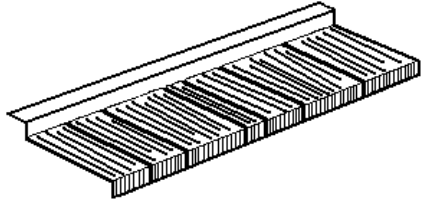
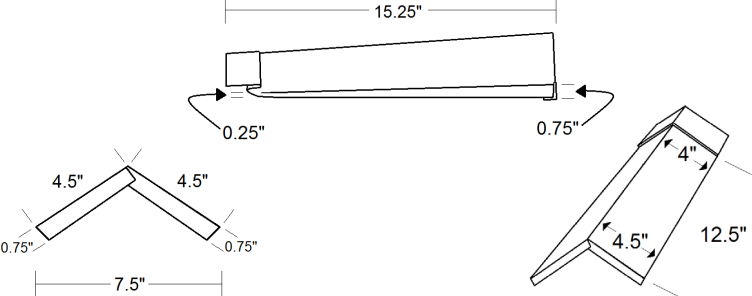
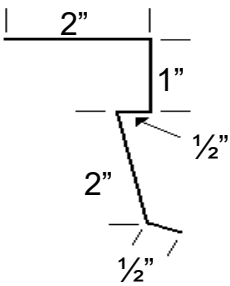
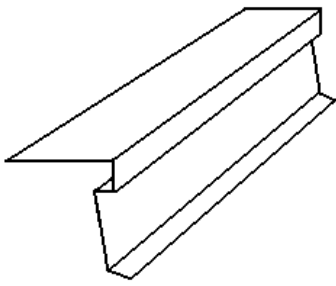
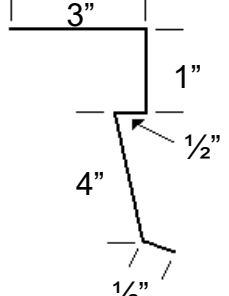
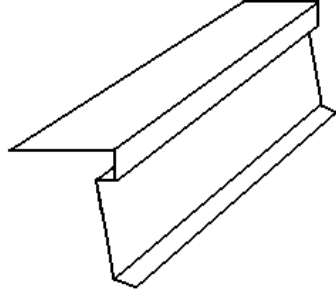


HEAVY SHAKE & FLASHING DETAILS

 	<p style="text-align: center;">SHAKE</p> <table border="0"> <tr> <td>Overall Length</td> <td style="text-align: right;">51"</td> </tr> <tr> <td>Length of Coverage</td> <td style="text-align: right;">48"</td> </tr> <tr> <td>Width of Coverage</td> <td style="text-align: right;">12.5"</td> </tr> <tr> <td>Total Shake Coverage</td> <td style="text-align: right;">4.16 sq. ft.</td> </tr> <tr> <td>Weight per Shake</td> <td style="text-align: right;">4.01 lbs</td> </tr> <tr> <td>Shakes per square</td> <td style="text-align: right;">24</td> </tr> <tr> <td>Shake per pallet</td> <td style="text-align: right;">480 (20 sq.)</td> </tr> <tr> <td>Approx. weight of full pallet</td> <td style="text-align: right;">1975 lbs</td> </tr> </table>	Overall Length	51"	Length of Coverage	48"	Width of Coverage	12.5"	Total Shake Coverage	4.16 sq. ft.	Weight per Shake	4.01 lbs	Shakes per square	24	Shake per pallet	480 (20 sq.)	Approx. weight of full pallet	1975 lbs
Overall Length	51"																
Length of Coverage	48"																
Width of Coverage	12.5"																
Total Shake Coverage	4.16 sq. ft.																
Weight per Shake	4.01 lbs																
Shakes per square	24																
Shake per pallet	480 (20 sq.)																
Approx. weight of full pallet	1975 lbs																
	<p style="text-align: center;">SHAKE CAP</p> <table border="0"> <tr> <td>Overall Length</td> <td style="text-align: right;">15.25"</td> </tr> <tr> <td>Length of Coverage</td> <td style="text-align: right;">12.5"</td> </tr> <tr> <td>Weight</td> <td style="text-align: right;">0.9 lb</td> </tr> <tr> <td>Shake Caps per box</td> <td style="text-align: right;">50 pcs</td> </tr> <tr> <td>Shake Caps per pallet (12 boxes)</td> <td style="text-align: right;">600 pcs</td> </tr> </table>	Overall Length	15.25"	Length of Coverage	12.5"	Weight	0.9 lb	Shake Caps per box	50 pcs	Shake Caps per pallet (12 boxes)	600 pcs						
Overall Length	15.25"																
Length of Coverage	12.5"																
Weight	0.9 lb																
Shake Caps per box	50 pcs																
Shake Caps per pallet (12 boxes)	600 pcs																
 	<p style="text-align: center;">SHAKE STARTER 3.5"</p> <table border="0"> <tr> <td>Overall Length</td> <td style="text-align: right;">96"</td> </tr> <tr> <td>Length of Coverage</td> <td style="text-align: right;">93"</td> </tr> <tr> <td>Weight</td> <td style="text-align: right;">3.62 lbs</td> </tr> </table>	Overall Length	96"	Length of Coverage	93"	Weight	3.62 lbs										
Overall Length	96"																
Length of Coverage	93"																
Weight	3.62 lbs																
 	<p style="text-align: center;">SHAKE STARTER 5"</p> <table border="0"> <tr> <td>Overall Length</td> <td style="text-align: right;">96"</td> </tr> <tr> <td>Length of Coverage</td> <td style="text-align: right;">93"</td> </tr> <tr> <td>Weight</td> <td style="text-align: right;">5.44 lbs</td> </tr> </table>	Overall Length	96"	Length of Coverage	93"	Weight	5.44 lbs										
Overall Length	96"																
Length of Coverage	93"																
Weight	5.44 lbs																

Revised Mar2021

S:\DOCUMENTS\SPEC-INSTALL\ET&HS-SPEC-INSTALL\current\HS FLASH PG1 Mar2021.docx

FLASHING SPECIFICATIONS
EUROPEAN TILE AND HEAVY SHAKE PROFILES

	<p style="text-align: center;">BARGE COVER</p> <table> <tr> <td>Overall Length</td> <td style="text-align: right;">96"</td> </tr> <tr> <td>Length of Coverage</td> <td style="text-align: right;">93"</td> </tr> <tr> <td>Weight</td> <td style="text-align: right;">4.83 lbs</td> </tr> </table>	Overall Length	96"	Length of Coverage	93"	Weight	4.83 lbs
Overall Length	96"						
Length of Coverage	93"						
Weight	4.83 lbs						
	<p style="text-align: center;">HIP/RIDGE CAP</p> <table> <tr> <td>Overall Length</td> <td style="text-align: right;">96"</td> </tr> <tr> <td>Length of Coverage</td> <td style="text-align: right;">93"</td> </tr> <tr> <td>Weight</td> <td style="text-align: right;">3.62 lbs</td> </tr> </table>	Overall Length	96"	Length of Coverage	93"	Weight	3.62 lbs
Overall Length	96"						
Length of Coverage	93"						
Weight	3.62 lbs						
	<p style="text-align: center;">VALLEY FLASHING</p> <table> <tr> <td>Overall Length</td> <td style="text-align: right;">96"</td> </tr> <tr> <td>Length of Coverage</td> <td style="text-align: right;">93"</td> </tr> <tr> <td>Weight</td> <td style="text-align: right;">4.83 lbs</td> </tr> </table>	Overall Length	96"	Length of Coverage	93"	Weight	4.83 lbs
Overall Length	96"						
Length of Coverage	93"						
Weight	4.83 lbs						
	<p style="text-align: center;">WALL FLASHING</p> <table> <tr> <td>Overall Length</td> <td style="text-align: right;">96"</td> </tr> <tr> <td>Length of Coverage</td> <td style="text-align: right;">93"</td> </tr> <tr> <td>Weight</td> <td style="text-align: right;">3.62 lbs</td> </tr> </table>	Overall Length	96"	Length of Coverage	93"	Weight	3.62 lbs
Overall Length	96"						
Length of Coverage	93"						
Weight	3.62 lbs						
	<p style="text-align: center;">WALL VALLEY FLASHING</p> <table> <tr> <td>Overall Length</td> <td style="text-align: right;">96"</td> </tr> <tr> <td>Length of Coverage</td> <td style="text-align: right;">93"</td> </tr> <tr> <td>Weight</td> <td style="text-align: right;">3.62 lbs</td> </tr> </table>	Overall Length	96"	Length of Coverage	93"	Weight	3.62 lbs
Overall Length	96"						
Length of Coverage	93"						
Weight	3.62 lbs						

Revised Nov. 08

S:\DOCUMENTS\SPECS-INSTALL\ET&HS-SPEC-INSTALL\current\HS FLASH PG2 08.doc