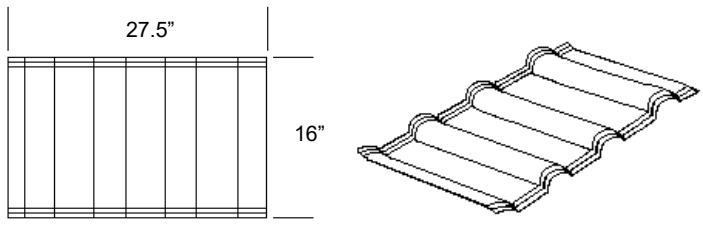
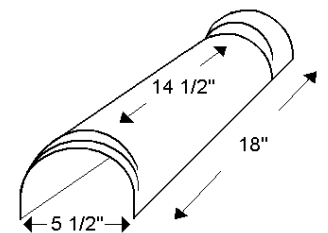
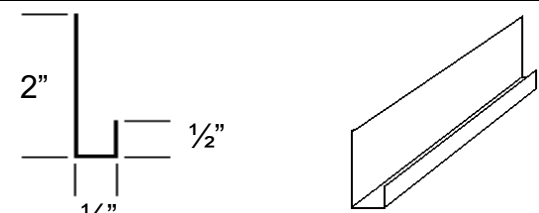
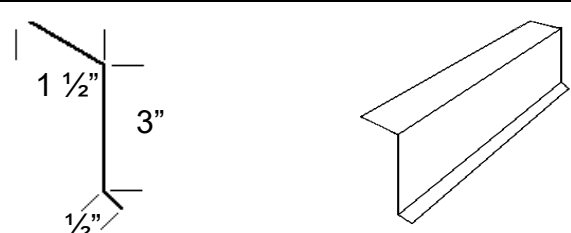
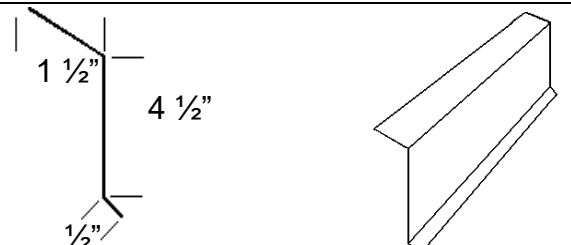
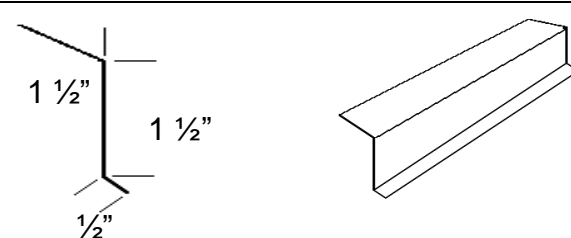


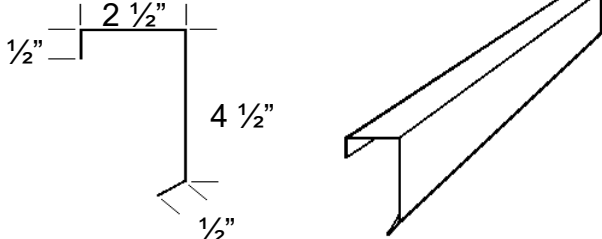
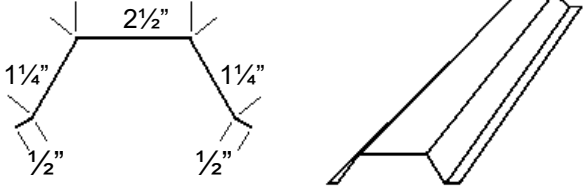
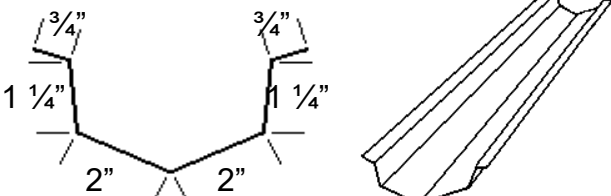
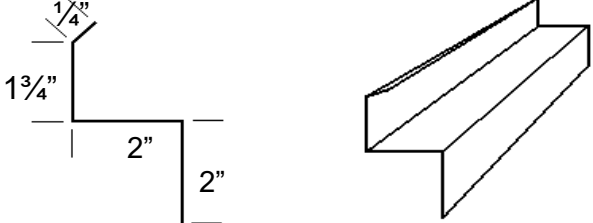
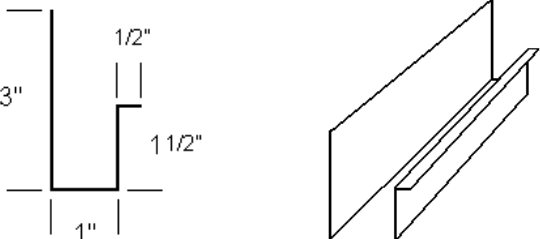
EUROPEAN TILE & FLASHING DETAILS

	<p style="text-align: center;">EUROPEAN TILE</p> <table border="0"> <tr> <td>Overall Length</td> <td style="text-align: right;">27.5"</td> </tr> <tr> <td>Length of Coverage</td> <td style="text-align: right;">24"</td> </tr> <tr> <td>Width of Coverage</td> <td style="text-align: right;">16"</td> </tr> <tr> <td>Total Tile Coverage</td> <td style="text-align: right;">2.67 sq. ft.</td> </tr> <tr> <td>Weight per Tile</td> <td style="text-align: right;">3.34 lbs</td> </tr> <tr> <td>Tiles per square</td> <td style="text-align: right;">37.5</td> </tr> <tr> <td>Tiles per pallet</td> <td style="text-align: right;">562 (15 sq.)</td> </tr> <tr> <td>Approx. weight of full pallet</td> <td style="text-align: right;">1877 lbs</td> </tr> </table>	Overall Length	27.5"	Length of Coverage	24"	Width of Coverage	16"	Total Tile Coverage	2.67 sq. ft.	Weight per Tile	3.34 lbs	Tiles per square	37.5	Tiles per pallet	562 (15 sq.)	Approx. weight of full pallet	1877 lbs
Overall Length	27.5"																
Length of Coverage	24"																
Width of Coverage	16"																
Total Tile Coverage	2.67 sq. ft.																
Weight per Tile	3.34 lbs																
Tiles per square	37.5																
Tiles per pallet	562 (15 sq.)																
Approx. weight of full pallet	1877 lbs																
	<p style="text-align: center;">EUROPEAN TILE BARREL CAP</p> <table border="0"> <tr> <td>Overall Length</td> <td style="text-align: right;">18"</td> </tr> <tr> <td>Length of Coverage</td> <td style="text-align: right;">14.5"</td> </tr> <tr> <td>Weight per Cap</td> <td style="text-align: right;">1.01 lbs</td> </tr> <tr> <td>Barrel Caps per box</td> <td style="text-align: right;">35</td> </tr> </table>	Overall Length	18"	Length of Coverage	14.5"	Weight per Cap	1.01 lbs	Barrel Caps per box	35								
Overall Length	18"																
Length of Coverage	14.5"																
Weight per Cap	1.01 lbs																
Barrel Caps per box	35																
	<p style="text-align: center;">EUROPEAN TILE HOOKSTRIP</p> <table border="0"> <tr> <td>Overall Length</td> <td style="text-align: right;">96"</td> </tr> <tr> <td>Length of Coverage</td> <td style="text-align: right;">93"</td> </tr> <tr> <td>Weight (3")</td> <td style="text-align: right;">1.81 lbs</td> </tr> </table>	Overall Length	96"	Length of Coverage	93"	Weight (3")	1.81 lbs										
Overall Length	96"																
Length of Coverage	93"																
Weight (3")	1.81 lbs																
	<p style="text-align: center;">EUROPEAN TILE STARTER STRIP 3.5"</p> <table border="0"> <tr> <td>Overall Length</td> <td style="text-align: right;">96"</td> </tr> <tr> <td>Length of Coverage</td> <td style="text-align: right;">93"</td> </tr> <tr> <td>Weight (5")</td> <td style="text-align: right;">3.02 lbs</td> </tr> <tr> <td colspan="2">*Standard</td> </tr> </table>	Overall Length	96"	Length of Coverage	93"	Weight (5")	3.02 lbs	*Standard									
Overall Length	96"																
Length of Coverage	93"																
Weight (5")	3.02 lbs																
*Standard																	
	<p style="text-align: center;">EUROPEAN TILE STARTER STRIP 5"</p> <table border="0"> <tr> <td>Overall Length</td> <td style="text-align: right;">96"</td> </tr> <tr> <td>Length of Coverage</td> <td style="text-align: right;">93"</td> </tr> <tr> <td>Weight (6.5")</td> <td style="text-align: right;">3.93 lbs</td> </tr> <tr> <td colspan="2">*Re-Roof</td> </tr> </table>	Overall Length	96"	Length of Coverage	93"	Weight (6.5")	3.93 lbs	*Re-Roof									
Overall Length	96"																
Length of Coverage	93"																
Weight (6.5")	3.93 lbs																
*Re-Roof																	
	<p style="text-align: center;">EUROPEAN TILE STARTER STRIP 2"</p> <table border="0"> <tr> <td>Overall Length</td> <td style="text-align: right;">96"</td> </tr> <tr> <td>Length of Coverage</td> <td style="text-align: right;">93"</td> </tr> <tr> <td>Weight (3.5")</td> <td style="text-align: right;">2.11 lbs</td> </tr> <tr> <td colspan="2">*No Batton</td> </tr> </table>	Overall Length	96"	Length of Coverage	93"	Weight (3.5")	2.11 lbs	*No Batton									
Overall Length	96"																
Length of Coverage	93"																
Weight (3.5")	2.11 lbs																
*No Batton																	

Revised Sept 2024

S:\DOCUMENTS\SPecs-INSTALL\ET&HS-SPEC-INSTALL\current\ET FLASH PG1 2024.docx

FLASHING SPECIFICATIONS
EUROPEAN TILE AND HEAVY SHAKE PROFILES

	<p style="text-align: center;">BARGE COVER</p> <table> <tr> <td>Overall Length</td> <td style="text-align: right;">96"</td> </tr> <tr> <td>Length of Coverage</td> <td style="text-align: right;">93"</td> </tr> <tr> <td>Weight</td> <td style="text-align: right;">4.83 lbs</td> </tr> </table>	Overall Length	96"	Length of Coverage	93"	Weight	4.83 lbs
Overall Length	96"						
Length of Coverage	93"						
Weight	4.83 lbs						
	<p style="text-align: center;">HIP/RIDGE CAP</p> <table> <tr> <td>Overall Length</td> <td style="text-align: right;">96"</td> </tr> <tr> <td>Length of Coverage</td> <td style="text-align: right;">93"</td> </tr> <tr> <td>Weight</td> <td style="text-align: right;">3.62 lbs</td> </tr> </table>	Overall Length	96"	Length of Coverage	93"	Weight	3.62 lbs
Overall Length	96"						
Length of Coverage	93"						
Weight	3.62 lbs						
	<p style="text-align: center;">VALLEY FLASHING</p> <table> <tr> <td>Overall Length</td> <td style="text-align: right;">96"</td> </tr> <tr> <td>Length of Coverage</td> <td style="text-align: right;">93"</td> </tr> <tr> <td>Weight</td> <td style="text-align: right;">4.83 lbs</td> </tr> </table>	Overall Length	96"	Length of Coverage	93"	Weight	4.83 lbs
Overall Length	96"						
Length of Coverage	93"						
Weight	4.83 lbs						
	<p style="text-align: center;">WALL FLASHING</p> <table> <tr> <td>Overall Length</td> <td style="text-align: right;">96"</td> </tr> <tr> <td>Length of Coverage</td> <td style="text-align: right;">93"</td> </tr> <tr> <td>Weight</td> <td style="text-align: right;">3.62 lbs</td> </tr> </table>	Overall Length	96"	Length of Coverage	93"	Weight	3.62 lbs
Overall Length	96"						
Length of Coverage	93"						
Weight	3.62 lbs						
	<p style="text-align: center;">WALL VALLEY FLASHING</p> <table> <tr> <td>Overall Length</td> <td style="text-align: right;">96"</td> </tr> <tr> <td>Length of Coverage</td> <td style="text-align: right;">93"</td> </tr> <tr> <td>Weight</td> <td style="text-align: right;">3.62 lbs</td> </tr> </table>	Overall Length	96"	Length of Coverage	93"	Weight	3.62 lbs
Overall Length	96"						
Length of Coverage	93"						
Weight	3.62 lbs						

Revised Nov. 08

S:\DOCUMENTS\SPecs-INSTALL\ET&HS-SPEC-INSTALL\current\ET FLASH PG2 08-B.docx